



hanit® TRAFALGAR SQUARE 2 BENCH

A timeless classic

With the Trafalgar Square bench, we re-interpreted the classic park bench using modern materials. Available in two different lengths, this bench fits perfectly into natural surroundings like conservation areas, forest tracks and lawns.

Material:

hanit® Recycled Plastic

Surface:

Structured, grained

Dimensions (W x D x H):

200 x 65 x 80 cm

Seat height:

45 cm

Weight:

87 kg

Slats:

Premium type

7 bench boards 200 x 8 x 4.7 cm

Internal reinforcement

Advantages:

Durable and dimensionally stable

Never paint, varnish or grind again

No risk of injury from splinters

No annoying mothballing in winter (weatherproof)

Fast drying, no water absorption

Resistant to vandalism

Optional:

Ground anchor type 2

Arm rest



 *Brown*



 *Grey-Brown*



 *Black-Brown*



 *Grey-Black*



 *Grey-Blue*



 *Grey-Green*



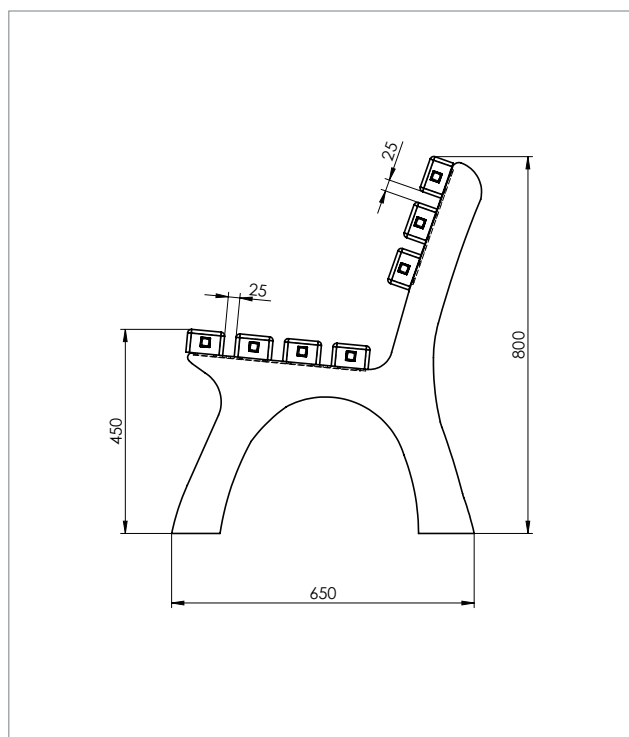
 *Grey-Red*

DBL/TRAFF200DEEN0519





TECHNICAL DRAWING



TECHNICAL DATA

Trafalgar Square 2 bench, width: 200 cm

Colour	Dimensions W x D x H (approx. cm)	Weight (approx. kg)	Order No
■ Brown	200 x 65 x 80	87.0	BBD 08 200
■ Grey-Brown	200 x 65 x 80	87.0	BGB 08 200
■ Grey-Blue	200 x 65 x 80	87.0	BGL 08 200
■ Grey-Green	200 x 65 x 80	87.0	BGM 08 200
■ Grey-Red	200 x 65 x 80	87.0	BGR 08 200
■ Grey-Black	200 x 65 x 80	87.0	BGS 08 200
■ Black-Brown	200 x 65 x 80	87.0	BSB 08 200

Benches and tables are delivered as a kit. Assembly instruction and materials are included.

FURTHER DOCUMENTS PLEASE SEE WWW.HANIT.DE

- » Assembly Instruction
- » Tender Specifications
- » Tests and Certificates
- » General Material Remarks

HAHN
KUNSTSTOFFE