



# hanit® HYDE PARK 2 BENCH WITHOUT BACK

Fresh and minimal

With just four brown seat boards and two black leg sections, the backless version of the Hyde Park is the picture of a simple comfort. Despite its simplicity, this is a high-tech hanit® bench that out-performs benches made from traditional materials.

**Material:**

hanit® Recycled Plastic

**Surface:**

Structured, grained

**Dimensions (W x D x H):**

195 x 46 x 48 cm

**Seat height:**

45 cm

**Weight:**

53 kg

**Slats:**

Premium type

4 bench boards 180 x 10 x 4.7 cm

Internal reinforcement

**Advantages:**

Durable and dimensionally stable

Never paint, varnish or grind again

No risk of injury from splinters

No annoying mothballing in winter (weatherproof)

Fast drying, no water absorption

Resistant to vandalism

**Optional:**

Ground anchor type 1



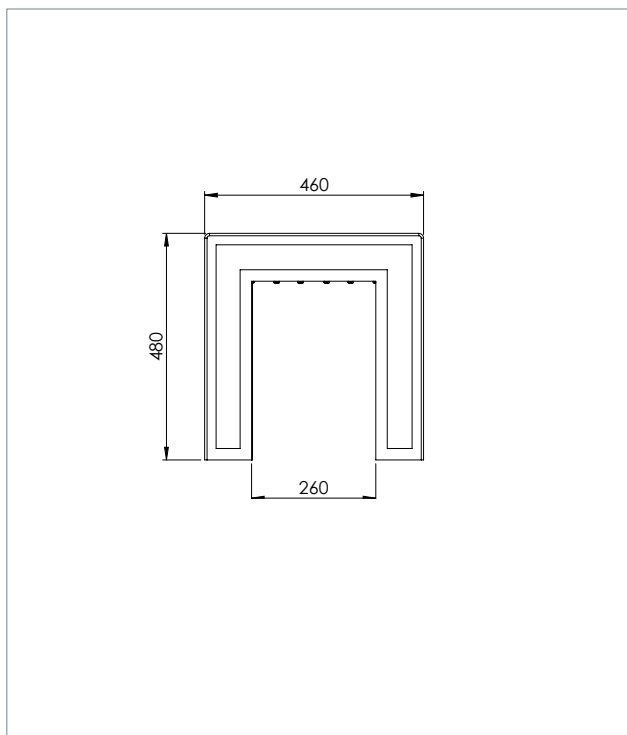
■ Black-Brown

DBLBHPO1180DEEN0519





**TECHNICAL DRAWING**



**TECHNICAL DATA**

**Hyde Park bench, excluding backrest 2, width: 195 cm**

Colour	Dimensions W x D x H (approx. cm)	Weight (approx. kg)	Order No
■ Black-Brown	195 x 46 x 48	53.0	HPO 10 180

Benches and tables are delivered as a kit. Assembly instruction and materials are included.

**FURTHER DOCUMENTS PLEASE SEE WWW.HANIT.DE**

- » Assembly Instruction
- » Tender Specifications
- » Tests and Certificates
- » General Material Remarks

