



## hanit® HIGHLANDS BENCH

### At one with nature

The Highlands bench is made with the same leg units as the Cornwall and the Somerset. What sets it apart is the one-piece back and two-piece seat. With an earthy and natural look, this is a bench that was made for the great outdoors.

#### Material:

hanit® Recycled Plastic

#### Surface:

Structured, grained

#### Dimensions (W x D x H):

200 x 66 x 75 cm

#### Seat height:

45 cm

#### Weight:

85 kg

#### Slats:

Classic type

3 bench boards 200 x 19 x 4 cm

Milled reinforcement

#### Mounting:

To be embedded in the ground

#### Advantages:

Durable and dimensionally stable

Never paint, varnish or grind again

No risk of injury from splinters

No annoying mothballing in winter (weatherproof)

Fast drying, no water absorption

Resistant to vandalism

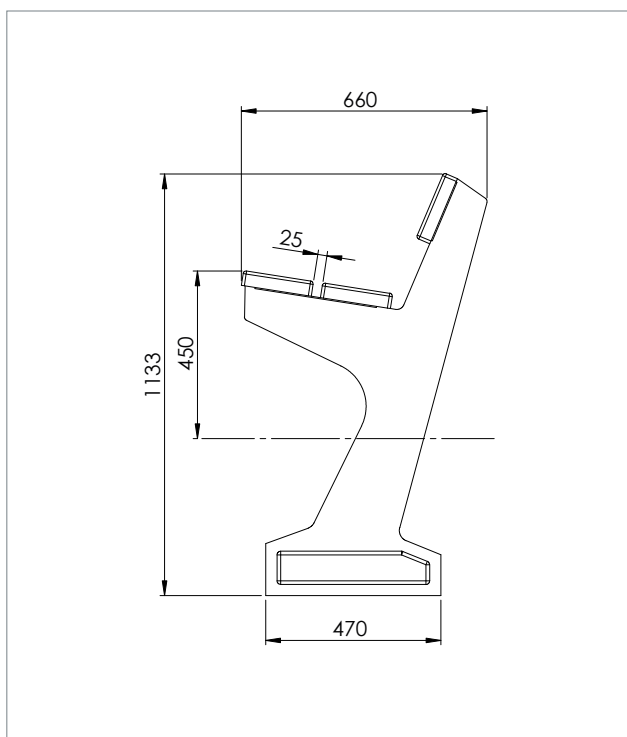


 Brown





TECHNICAL DRAWING



TECHNICAL DATA

**Width: 200 cm**

| Colour  | Dimensions<br>W x D x H (approx. cm) | Weight<br>(approx. kg) | Order No   |
|---------|--------------------------------------|------------------------|------------|
| ■ Brown | 200 x 66 x 75                        | 85.0                   | BSC 19 200 |

Height from upper edge of cover. Benches and tables are delivered as a kit. Assembly instruction and materials are included.

FURTHER DOCUMENTS PLEASE SEE [WWW.HANIT.DE](http://WWW.HANIT.DE)

- » Assembly Instruction
- » Tender Specifications
- » Tests and Certificates
- » General Material Remarks

