



# hanit® GRAND CANYON BENCH

## The sheltered picnic bench

Whenever it looks like rain, it's great to see the Grand Canyon picnic bench up ahead. Large enough for families or small groups, this is a perfect option for woodland walks, hiking trails or wherever shelter in a storm (or heat wave!) is hard to find.

**Material:**

hanit® Recycled Plastic

**Surface:**

Structured, grained

**Dimensions (W x D x H):**

280 x 257 x 276 cm

**Seat height:**

45 cm

**Table height:**

75 cm

**Weight:**

900 kg

**Slats:**

Premium type

6 bench boards 200 x 10 x 4.7 cm

5 table boards 200 x 10 x 4.7 cm

Internal reinforcement

**Advantages:**

Sitting in dry conditions

Durable and dimensionally stable

Never paint, varnish or grind again

No risk of injury from splinters

No annoying mothballing in winter (weatherproof)

Fast drying, no water absorption

Resistant to vandalism

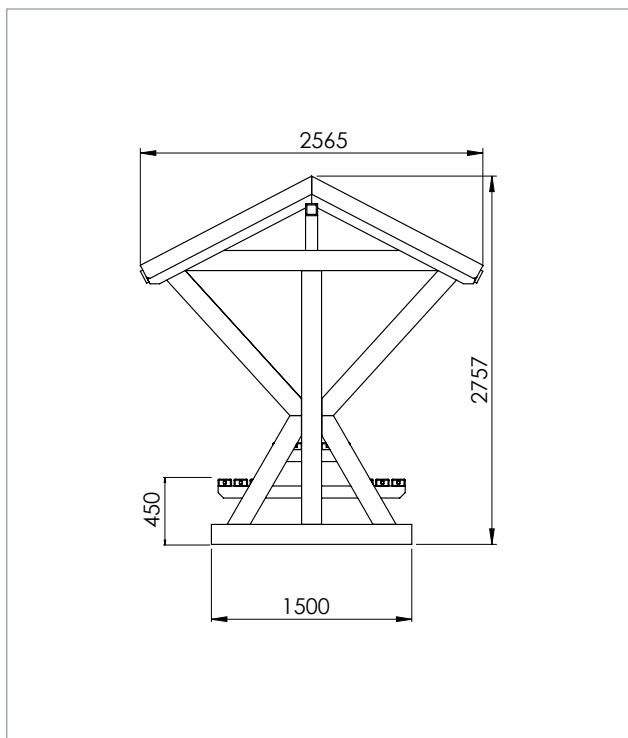


 *Brown*





TECHNICAL DRAWING



TECHNICAL DATA

Width: 230 cm			
Colour	Dimensions W x D x H (approx. cm)	Weight (approx. kg)	Order No
■ Brown	280 x 257 x 276	900.0	BSL 10 200

The shelter is partially assembled on delivery.

FURTHER DOCUMENTS PLEASE SEE [WWW.HANIT.DE](http://WWW.HANIT.DE)

- » Assembly Instruction
- » Tender Specifications
- » Tests and Certificates
- » General Material Remarks

